



Firenor



Standard DIFF System (Deck Integrated Fire Fighting System)

A Deck Integrated Fire Fighting (DIFF) system is a powerful fire suppression system that is normally the primary firefighting system on a helideck. The compact design of the system also allows it to be easily installed in storage areas and hangars used for aircrafts and helicopters. This versatile system can also extinguish a pool fire by mixing foam in the water at a specified flow, should the need arise.

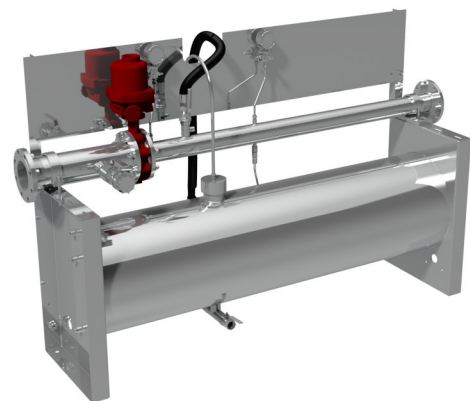
SYSTEM DESIGN

The Firenor standard design of the DIFF system was developed based on decades of firefighting industry experience. The system connects the water supply to a series of open pop up nozzles through a network of dry pipework. A traditional on-off valve normally prevents the water from flowing through the pipes when the system is not in use, though Firenor can install a pressure regulating deluge valve if the water supply requires one. Instrumentation and valves on the Firenor standard DIFF system are designed to allow for hassle-free operation, maintenance, and testing.

The Firenor DIFF system can all be custom built to meet specific project requirements. Custom built systems will always be compliant with any required SIL and full flow pre-tested before delivery. Furthermore, Firenor can design the release mechanism to be pneumatic, hydraulic, or electrical signals and the system can be built with an open frame or built inside a cabinet, which is more environmentally friendly.

VERIFICATION

Every system can be customized, upon request, for compliance with both applicable rules or regulations and project specific requirements. Full documentation for any tailor-made products are available and include all necessary certifications, third party verifications such as DNV/GL, BV, ABS, etc., and full scale test reports, if required.



DIFF on Frame



◀ Standard DIFF System (Deck Integrated Fire Fighting System)

FEATURES

- From 2-24 inches
- Compatible with various hazardous area classification and regulations (ATEX, UL, CSA etc)
- Compatible with IEC 61508 for Safety Integrity Level 2 and 3
- Full-scale tests up to 35 000 LPM.
- NORSOK Working Environment Design

MATERIAL

Every Firenor system is available in the following materials:

- Galvanized carbon steel
- Duplex
- Copper nickel
- SS316
- Super duplex
- 6Mo
- Titanium
- GRE

FOAM SUPPLY

The foam supply for this system can be provided by a separate tank outside or inside the skid, or from a central foam system, depending on the exact project specifications. The foam can be mixed with a variety of solutions listed below:

- Turbine foam proportioner
- Balanced pressure foam proportioner
- Foam inductors
- Constant flow orifice

NOZZLES

The recess mounted Deck Integrated Nozzle that is flush with the deck when

not in use offers inconspicuous fire protection that does not interfere with everyday work activities. This type of nozzle is available in several sizes and materials for different applications. The nozzle is designed to allow easy maintenance from the top and has a special feature for pressure testing of the pipe system after installation.

DOCUMENTATION

The engineering department produces documentation relevant to all phases of the project. Documentation normally includes the following:

- Quality plan
- Calculations
- ITP
- Certificates
- Drawings
- Reports
- Data sheets
- User manual
- Indexes
- MRB
- Procedures



Firenor International AS
Holskogveien 48
4624 Kristiansand, Norway

Office +47 99 09 73 00
E-mail post@firenor.no

www.firenor.no